



# SPARE PARTS EXPLODED VIEW GAS-WALL BOILER ATM. BURNER

Model

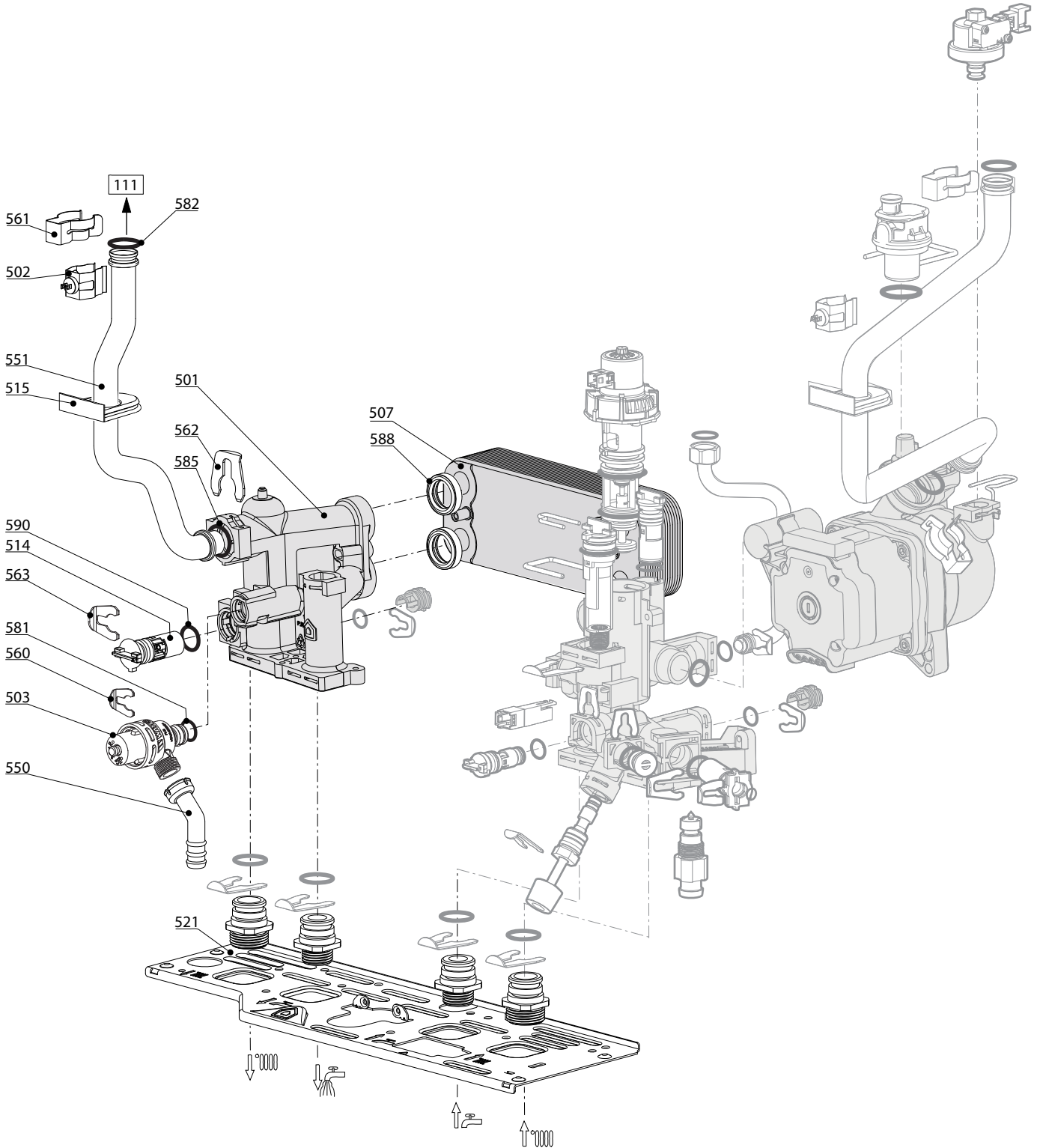
## CARES XC - HS XC - EGIS XC

R8218623-04 - 13/07/2022

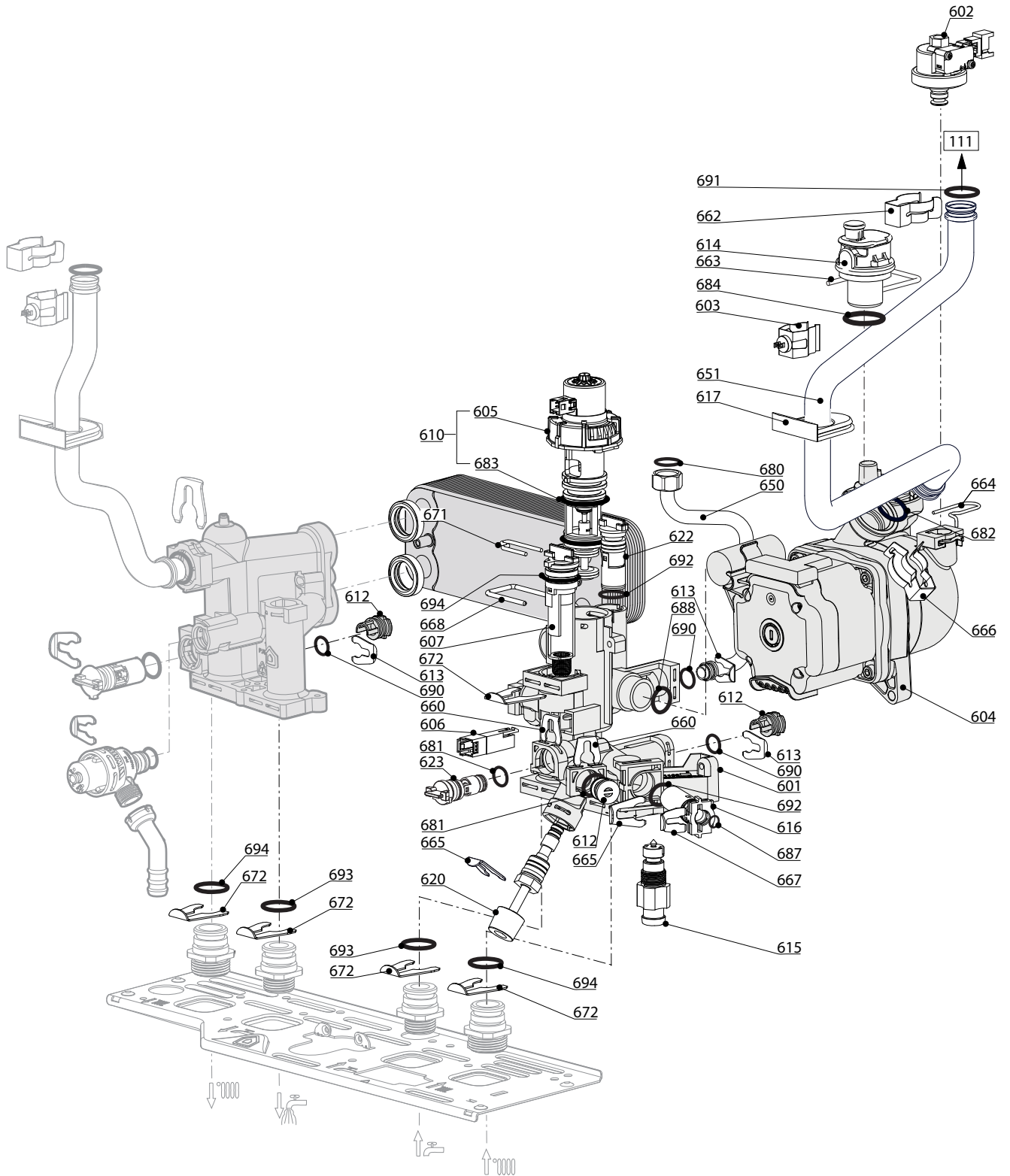
1	3301685	CARES XC 10 FF NG	02-2021	-
2	3301684	CARES XC 15 FF NG	02-2021	-
3	3301683	CARES XC 18 FF NG	02-2021	-
4	3301682	CARES XC 24 FF NG	02-2021	-
5	3301689	HS XC 10 FF NG	03-2021	-
6	3301688	HS XC 15 FF NG	03-2021	-
7	3301687	HS XC 18 FF NG	03-2021	-
8	3301686	HS XC 24 FF NG	03-2021	-
9	3302267	EGIS XC 15 FF NG	04-2022	-
10	3302266	EGIS XC 24 FF NG	04-2022	-
Col	Reference	Model type	Begin	End



☉⇒	Description	Manf. Pt. N	Type	<div style="display: flex; justify-content: space-between; font-size: small;"> <span>CARES-XC-10-FF-NG</span> <span>CARES-XC-15-FF-NG</span> <span>CARES-XC-18-FF-NG</span> <span>CARES-XC-24-FF-NG</span> <span>HS-XC-10-FF-NG</span> <span>HS-XC-15-FF-NG</span> <span>HS-XC-18-FF-NG</span> <span>HS-XC-24-FF-NG</span> <span>EGIS-XC-15-FF-NG</span> <span>EGIS-XC-24-FF-NG</span> </div>																		From	to
				1	2	3	4	5	6	7	8	9	10	11	12	13	14	15	16	17	18		
<b>0100</b>	<b>BURNER ASSEMBLY</b>																						
0101	ЭЛЕКТРОДЫ РОЗЖИГА ИОНИЗАЦИИ	65115802		●	●	●	●	●	●	●	●	●	●	●	●	●	●	●	●				
0110	ТЕПЛОИЗОЛЯЦИЯ (КОМПЛЕКТ)	65106298		●	●	●	●	●	●	●	●	●	●	●	●	●	●	●	●				
0111	ОСНОВНОЙ ТЕПЛООБМЕННИК (Cu)	65120314		●	●	●	●	●	●	●	●	●	●	●	●	●	●	●	●				
	ОСНОВНОЙ ТЕПЛООБМЕННИК (Cu)	65106297																		●	●		
0112	ГОРЕЛКА 11NP	65106294		●	●	●	●	●	●	●	●	●	●	●	●	●	●	●	●				
0113	ГАЗОВЫЙ КОЛЛЕКТОР 11 INJ. D:1.32	65106302	G20	●	●	●	●	●	●	●	●	●	●	●	●	●	●	●	●				
<b>0200</b>	<b>GAS SECTION</b>																						
0201	ГАЗОВЫЙ КЛАПАН	65115771		●	●	●	●	●	●	●	●	●	●	●	●	●	●	●	●				
0204	БЛОК РОЗЖИГА	65115791-01		●	●	●	●	●	●	●	●	●	●	●	●	●	●	●	●				
0214	ПАТРУБОК (ГАЗОВЫЙ КЛАПАН/ГОРЕЛКА)	65115772		●	●	●	●	●	●	●	●	●	●	●	●	●	●	●	●				
0216	УПЛОТНЕНИЕ	60000624		●	●	●	●	●	●	●	●	●	●	●	●	●	●	●	●				
0217	СН СОЕДИНЕНИЕ 3/4"	65114929		●	●	●	●	●	●	●	●	●	●	●	●	●	●	●	●				
0218	DWN СОЕДИНЕНИЕ 1/2"	65114930		●	●	●	●	●	●	●	●	●	●	●	●	●	●	●	●				
0251	ТРУБКА EPDM	65115773		●	●	●	●	●	●	●	●	●	●	●	●	●	●	●	●				
0261	КЛИПСА	60001861		●	●	●	●	●	●	●	●	●	●	●	●	●	●	●	●				
0270	ПРОКЛАДКА БЛОКА РОЗЖИГА	574279		●	●	●	●	●	●	●	●	●	●	●	●	●	●	●	●				
0281	О-КОЛЬЦО 22.22X2.62	65104304		●	●	●	●	●	●	●	●	●	●	●	●	●	●	●	●				
0283	О-КОЛЬЦО 17.17X1.78	65104303		●	●	●	●	●	●	●	●	●	●	●	●	●	●	●	●				
<b>0300</b>	<b>FAN ASSEMBLY</b>																						
0302	ПНЕВМОРЕЛЕ 50 Pa	65104671-01		●	●	●	●	●	●	●	●	●	●	●	●	●	●	●	●				
0303	ВЕНТИЛЯТОР 24 KW	65121235		●	●	●	●	●	●	●	●	●	●	●	●	●	●	●	●				
0310	ПАТРУБОК ПРИТОКА ВОЗДУХА	65115914		●	●	●	●	●	●	●	●	●	●	●	●	●	●	●	●				
0314	КАМЕРА СГОРАНИЯ 24 FF	65115800		●	●	●	●	●	●	●	●	●	●	●	●	●	●	●	●				
0315	КОНДЕНСАТООТВОДЧИК	65105349		●	●	●	●	●	●	●	●	●	●	●	●	●	●	●	●				
0316	ТЕПЛОИЗОЛЯЦИЯ ВЕНТИЛЯТОРА	65104305		●	●	●	●	●	●	●	●	●	●	●	●	●	●	●	●				
0317	КРОНШТЕЙН ПНЕВМОРЕЛЕ	65115812		●	●	●	●	●	●	●	●	●	●	●	●	●	●	●	●				
0318	ТРУБКА ВЕНТУРИ 15/24 FF	65106516		●	●	●	●	●	●	●	●	●	●	●	●	●	●	●	●				
0319	ДИАФРАГМА (KIT)	60001598		●	●	●	●	●	●	●	●	●	●	●	●	●	●	●	●				
0374	УПЛОТНЕНИЕ ДЛЯ КАБЕЛЯ	60000716		●	●	●	●	●	●	●	●	●	●	●	●	●	●	●	●				
<b>0400</b>	<b>SEALED CASE</b>																						
0401	РАСШИРИТЕЛЬНЫЙ БАК 8Л	65104261		●	●	●	●	●	●	●	●	●	●	●	●	●	●	●	●				
0410	ПАНЕЛЬ КАМЕРЫ СГОРАНИЯ	65106296		●	●	●	●	●	●	●	●	●	●	●	●	●	●	●	●				
0412	ПРУЖИНА ПЕРЕДНЕЙ ПАНЕЛИ (KIT)	65107048		●	●	●	●	●	●	●	●	●	●	●	●	●	●	●	●				
0413	ЗАГЛУШКА ПОДАЧИ ВОЗДУХА	65104249																					
0414	ГЕРМЕТИЗИРУЮЩАЯ КРЫШКА	65105678-02		●	●	●	●	●	●	●	●	●	●	●	●	●	●	●	●				
0416	ПАНЕЛЬ КОРПУСА (ЛЕВАЯ + ПРАВАЯ) - WHITE	65115804		●	●	●	●	●	●	●	●	●	●	●	●	●	●	●	●				
0417	ПАНЕЛЬ КОРПУСА (ПЕРЕДНЯЯ)	65115823		●	●	●	●	●	●	●	●	●	●	●	●	●	●	●	●				
	ПАНЕЛЬ КОРПУСА (ПЕРЕДНЯЯ)	65115824																		●	●		
0420	КРОНШТЕЙН РАСШИРИТЕЛЬНОГО БАКА	65104696		●	●	●	●	●	●	●	●	●	●	●	●	●	●	●	●				

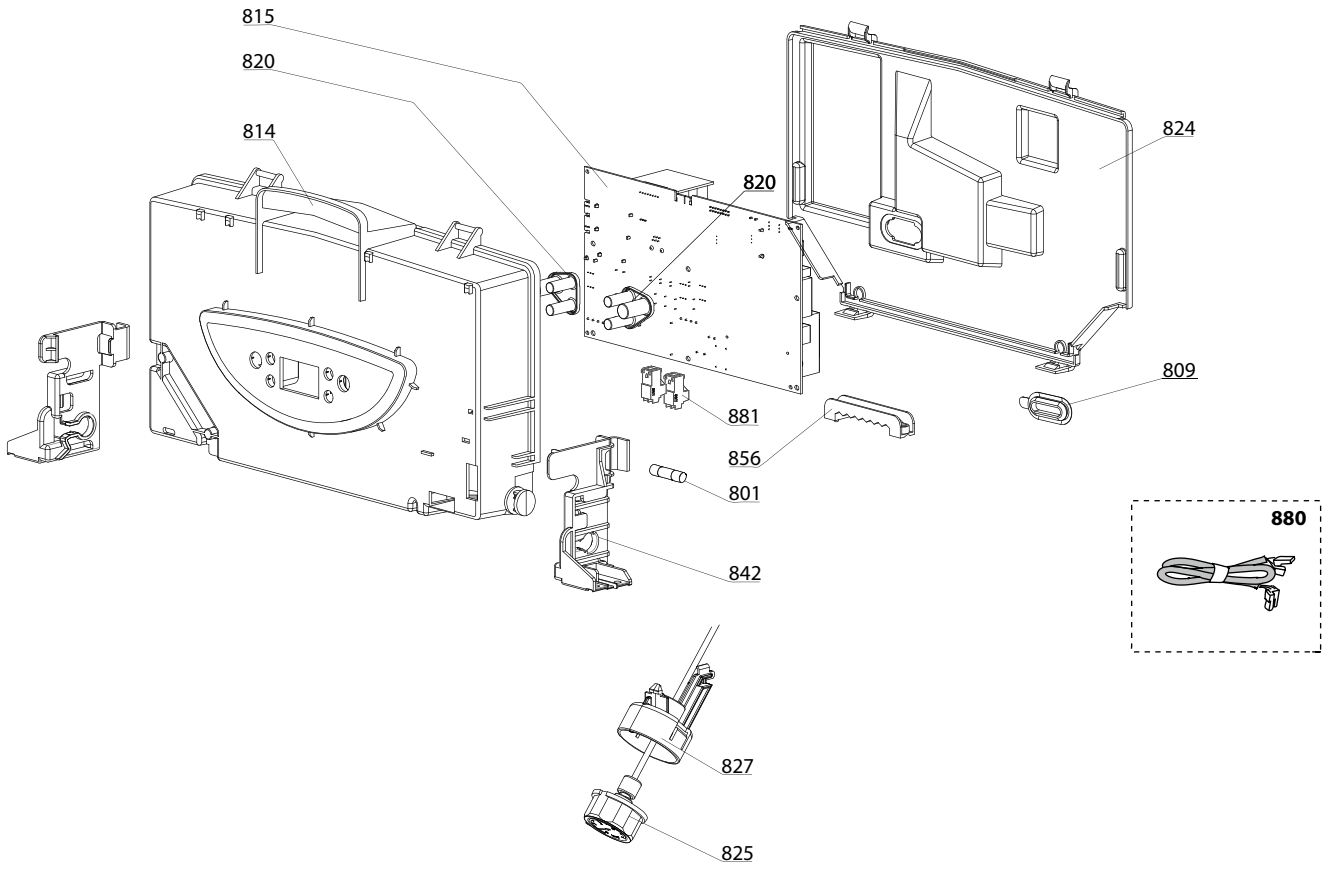




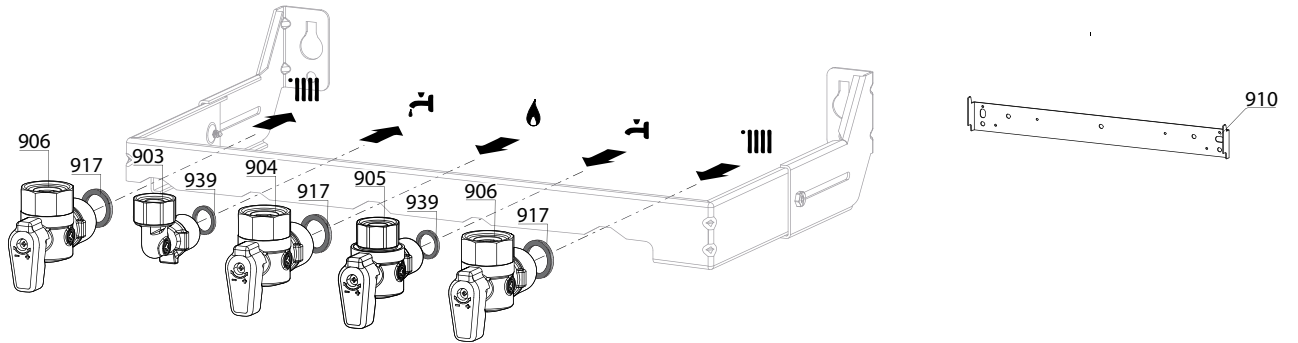




800



900



5000

5001  
 Transf. gaz  
 Conv. gas  
 Trsf. gas  
 Transf. gas  
 > **G31**  
 (LPG - GPL)

5002  
 Transf. gaz  
 Conv. gas  
 Trsf. gas  
 Transf. gas  
 > **G20**  
 (NAT - MET)





## LIST OF THE ABBREVIATIONS

HW .....	: Hot water.
CW .....	: Cold water.
C .....	: Ceramic resistance (normal heating).
Ca .....	: Ceramic resistance (accelerated heating)
TP .....	: Immersion heater.
1F .....	: With fittings.
2F .....	: Without fittings.
3F .....	: With fittings and another outlet connection.
AMI .....	: With mixing valve.
SMI .....	: Without mixing valve.
PUISS .....	: Power of th appliance.
PN .....	: Appliance with normal pression.
LP .....	: Appliance with low pression.
PV .....	: Appliance with variable power.
PF .....	: Appliance with fixed power.

## IDENTIFICATION PLATE

### SERIAL NUMBER

<b>10 Characters :</b>	04 05 125 011	Sequential number
		Manufacturing day
		Year of manufacture
<b>11 Characters :</b>	1 95 065004 - 31	Technical number of the appliance
Month of manufacture :		Sequential number
from 1 to 9 → Jan. to Sep.,		Year of manufacture
O → Oct., N → Nov.,		
D → Dec.		
<b>19 Characters :</b>	08 05 0013199 900640031	Product reference
Year of manufacture		Sequential number
Month of manufacture		
<b>20 Characters :</b>	3675007 XX 2 07 070 00315	Sequential number
Product reference		Manufacturing day
Millenium of manufacture		Year of manufacture
<b>21 Characters :</b>	3675007 XX 07 070 0000315	Sequential number
Product reference		Manufacturing day
Year of manufacture		